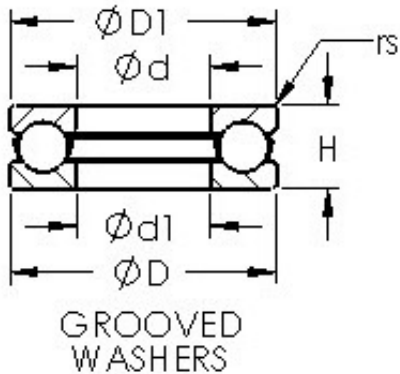




AD Bearing Machine Co., Ltd



AST 51416M AST Bearing

Bearing No. 51416M

| | |
|-------------------------------|------------------------------------|
| Bore Diameter | 80 mm |
| Outer Diameter | 170 mm |
| Bearing Type | with grooved raceway(s) |
| Bore Dia (d) | 80.0000 |
| Outer Dia (D) | 170.0000 |
| Radius (min) (rs) | 2.100 |
| Static Load Rating (Cor) | 751,000 |
| Dynamic Load Rating (Cr) | 314,000 |
| Max Speed (Grease) (X000 RPM) | 1 |
| Max Speed (Oil) (X000 RPM) | 1 |
| Height (H) | 68.0000 |
| Outer Dia. Pilot (D1) | 170.0000 |
| Bore Dia. Clearance (d1) | 83.0000 |
| Weight (g) | 7,735.00 |
| Material | 52100 chrome steel, or equivalent. |

51416M Bearing 2D drawings and 3D CAD models