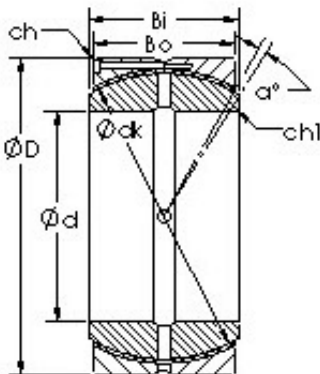




AD Bearing Machine Co., Ltd

AST GEC440HCS AST Bearing

Bearing No. GEC440HCS



GEC440HCS Bearing 2D drawings and 3D CAD models

Bore Diameter	440 mm
Outer Diameter	600 mm
Bearing Type	smaller profile
Bore Dia (d)	440.0000
Outer Dia (D)	600.0000
Outer Width (Bo)	185.0000
Inner Width (Bi)	218.0000
Dynamic Load Rating (Cr)	9,620,000
Static Load Rating (Cor)	19,240,000
Max. shaft corner radius, or 45 deg. chamfer (ch1)	1.500
Max. housing corner radius, or 45 deg. chamfer (ch)	4.000
Spherical Diameter (dk or Dk)	520.000
Mis-alignment Angle (a deg.)	3
Weight (g)	196,000.00
Material	Outer ring made from carbon steel, inner ring 52100 chrome steel or equivalent