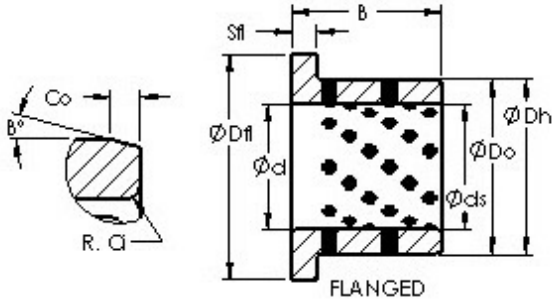




AD Bearing Machine Co., Ltd

AST AST650 F455530 AST Bearing

Bearing No. AST650 F455530



AST650 F455530 Bearing 2D drawings and 3D CAD models

Bore Diameter	45 mm
Outer Diameter	55 mm
Bearing Type	flanged
Shaft Dia., Nominal (d)	45.0000
Housing Bore Dia. (Dh) - 55 +0.030 / -0	55 +0.030 / 0
Bearing Outside Diameter, Nominal(Do)	55.000
Bearing Outside Diameter Tolerance (Do tol.)	55 +0.030 / +0.011
Bearing Bore after Mounting (di)	45 +0.050 / +0.025
Bearing Length, Nominal (B)	30.000
Bearing Length Tolerance (B tol.) - -0.10 / -0.30	0.10 / 0.30
OD Chamfer Length (Co)	2.000
ID Chamfer Angle (B deg.)	15
ID Chamfer Length (Ci)	1.200
Flange Dia. (Dfl pm 0.5)	70.000
Material	Cast bronze with solid lubricant inserts.