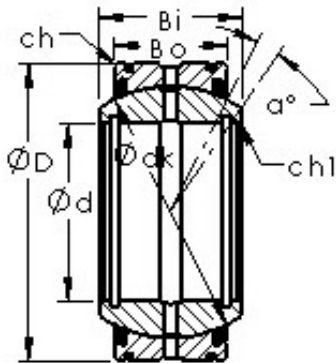




AD Bearing Machine Co., Ltd



AST GEK50XS-2RS AST Bearing

Bearing No. GEK50XS-2RS

Bore Diameter	50 mm
Outer Diameter	110 mm
Bearing Type - high mis-alignment, sealed	high misalignment, sealed
Bore Dia (d)	50.0000
Outer Dia (D)	110.0000
Outer Width (Bo)	58.0000
Inner Width (Bi)	80.0000
Dynamic Load Rating (Cr)	493,000
Static Load Rating (Cor)	2,450,000
Max. shaft corner radius, or 45 deg. chamfer (ch1)	1.000
Max. housing corner radius, or 45 deg. chamfer (ch)	1.000
Spherical Diameter (dk or Dk)	100.000
Mis-alignment Angle (a deg.)	17
Weight (g)	3,810.00
Material	Inner and Outer ring made from 52100 Chrome steel, or equivalent

GEK50XS-2RS Bearing 2D drawings and 3D CAD models