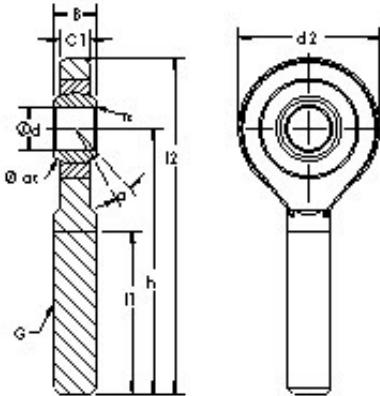




AD Bearing Machine Co., Ltd



AST SA5C AST Bearing

Bearing No. SA5C

Bore Diameter	5 mm
Width	6 mm
Bearing Type - steel-on-PTFE composite	steelonPTFE composite
Bore Dia (d)	5.0000
Width (B)	6.0000
Radius (min) (rs)	0.300
Dynamic Load Rating (Cr)	3,600
Static Load Rating (Cor)	3,900
Spherical Diameter (dk or Dk)	10.000
Mis-alignment Angle (a deg.)	13
Thread Length (l1)	16.000
Bore Center to End of Rod (h)	36.000
Rod Overall Length (l2)	46.500
Rod End Thickness (C1)	4.500
Bore Center to Body (l7)	12
Thread Size (G)	M5
Rod End Width (d2)	21.000
Weight (g)	17.00
Material - Body - Carbon steel-zinc plated, Ball - Hardened chrome steel-chrome plated, Liner	PTFE composite material

SA5C Bearing 2D drawings and 3D CAD models