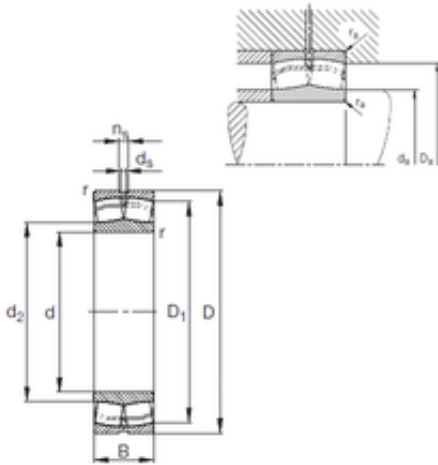




AD Bearing Machine Co., Ltd

340 mm x 580 mm x 243 mm FAG 24168-E1 FAG Bearing

Bearing No. 24168-E1



24168-E1 Bearing 2D drawings and 3D CAD models

Size	340x580x243 mm
Bore Diameter	340 mm
Outer Diameter	580 mm
Width	243 mm
d	340 mm
D	580 mm
B	243 mm
C	243 mm
n	17,7 mm
r min.	5 mm
D1	484,1 mm
da min.	360 mm
Da max.	560 mm
ra max.	4 mm
d5	9,5 r/min
Weight	257 Kg
Basic dynamic load rating (C)	5400 kN
Basic static load rating (C0)	8500 kN
Fatigue load limit (Pu)	630
Reference speed	380 r/min
Limiting speed	630 r/min
Calculation factor (e)	0,42
Calculation factor (Y0)	1,58
Calculation factor (Y1)	1,61
Calculation factor (Y2)	2,4



AD Bearing Machine Co., Ltd