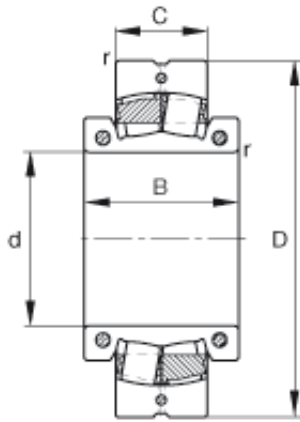




AD Bearing Machine Co., Ltd



9 7/16 inch x 440 mm x 210 mm FAG 231S.907 FAG Bearing

Bearing No. 231S.907

231S.907 Bearing 2D drawings and 3D CAD models

Size	239.713x440x144 mm
Bore Diameter	239,713 mm
Outer Diameter	440 mm
Width	144 mm
d	239,713 mm
d	9 7/16 inch
D	440 mm
C	144 mm
B	210 mm
r _{min}	4 mm
m	127 kg / Weight
C _r	1860000 N / Dynamic load rating (radial)
e	0,3
Y ₁	2,28
Y ₂	3,39
C _{0r}	3050000 N / Static load rating (radial)
Y ₀	2,23
n _G	580 1/min / Limiting speed
C _{ur}	218000 N / Fatigue limit load, radial
F _{a max}	32000 N / Permissible axial load, for inner ring without axial abutment
M _i	120 Nm / Tightening torque



AD Bearing Machine Co., Ltd

	per clamping screw
--	--------------------