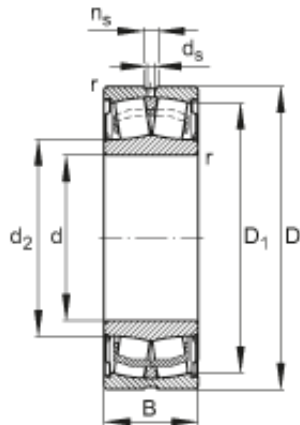




AD Bearing Machine Co., Ltd



90 mm x 160 mm x 48 mm FAG WS22218-E1-2RSR FAG Bearing

Bearing No. WS22218-E1-2RSR

WS22218-E1-2RSR Bearing 2D drawings and 3D CAD models

Size	90x160x48 mm
Bore Diameter	90 mm
Outer Diameter	160 mm
Width	48 mm
d	90 mm
D	160 mm
B	48 mm
D ₁	146,7 mm
D _{a max}	149 mm
d ₂	101,4 mm
d _{a min}	101 mm
d _s	3,2 mm
n _s	6,5 mm
r _{a max}	2 mm
r _{min}	2 mm
m	4,3 kg / Weight
C _r	345000 N / Dynamic load rating (radial)
e	0,23
Y ₁	2,9
Y ₂	4,31
C _{0r}	375000 N / Static load rating (radial)
Y ₀	2,83



AD Bearing Machine Co., Ltd

n_G	1300 1/min / Limiting speed
C_{ur}	42500 N